

PQ1LAX95MSPQ

Compact Surface Mount Type
Low Power-Loss Voltage Regulators

■ Features

1. Compact surface mount package (4.5×4.3×1.5mm)
2. Output current : MAX.500mA
3. Power dissipation : MAX.900mW
(At mounting PCB shown in Fig.3)
4. Built-in ON/OFF control function
5. Built-in overcurrent, overheat protection functions
6. Use of ceramic capacitor is possible as output smooth capacitor
7. RoHS directive compliant

■ Applications

1. Power supplies for various electronic equipment such as AV, OA equipment

■ Absolute Maximum Ratings

(Ta=25°C)

Parameter	Symbol	Rating	Unit
*1 Input voltage	V _{IN}	15	V
*1 Output control voltage	V _C	15	V
*1 Output adjustment pin voltage	V _{ADJ}	5	V
Output current	I _O	500	mA
*2 Power dissipation	P _D	900	mW
*3 Junction temperature	T _J	150	°C
Operating temperature	T _{opr}	-40 to +85	°C
Storage temperature	T _{stg}	-55 to +150	°C
Soldering temperature	T _{sol}	270(10s)	°C

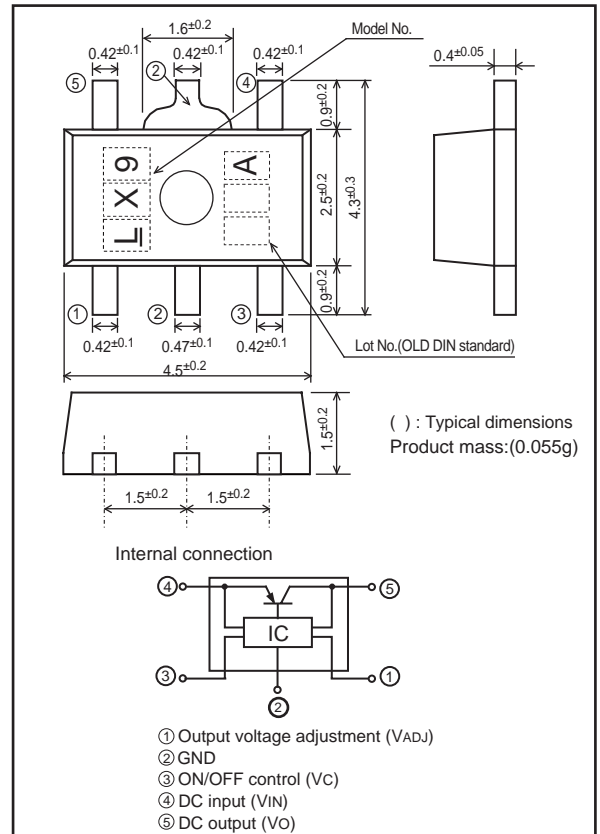
*1 All are open except GND and applicable terminals.

*2 At surface-mounted condition

*3 Overheat protection may operate at T_J:125°C to 150°C

■ Outline Dimensions

(Unit : mm)



Lead finish:Lead-free solder plating
(Composition: SnBi)

Notice The content of data sheet is subject to change without prior notice.

In the absence of confirmation by device specification sheets, SHARP takes no responsibility for any defects that may occur in equipment using any SHARP devices shown in catalogs, data books, etc. Contact SHARP in order to obtain the latest device specification sheets before using any SHARP device.

Electrical Characteristics

(Unless otherwise specified condition shall be $V_{IN}=3.5V, V_O=2.48V (R1=R2=10k\Omega), I_O=30mA, V_C=1.8V, T_a=25^\circ C$)

Parameter	Symbol	Conditions	MIN.	TYP.	MAX.	Unit
Input voltage	V_{IN}	—	2.5	—	15.0	V
Output voltage	V_O	—	V_{ref}	—	9.0	V
Reference voltage	V_{ref}	—	1.215	1.24	1.265	V
Load regulation	Reg_L	$I_O=5$ to $500mA$	—	35	100	mV
Line regulation	Reg_L	$V_{IN}=3.5V$ to $8.5V$	—	6	20	mV
Temperature coefficient of Reference voltage	TcV_{ref}	$I_O=10mA, T_j=0$ to $100^\circ C$	—	± 1.0	—	%
Ripple rejection	RR	Refer to Fig.2	—	50	—	dB
Output noise voltage	$V_{no(rms)}$	$10Hz < f < 100kHz$	—	180	—	μV
Dropout voltage	V_{I-O}	$V_{IN}=3V, I_O=300mA$	—	—	0.7	V
*4 On-state voltage for control	$V_{C(ON)}$	—	1.8	—	—	V
On-state current for control	$I_{C(ON)}$	$V_C=1.8V$	—	5	30	μA
Off-voltage for control	$V_{C(OFF)}$	—	—	—	0.4	V
Quiescent current	I_q	$I_O=0mA$	—	400	700	μA
Output off-state consumption current	I_{qs}	$V_C=0.2V$	—	—	1	μA

*4 In case that the control terminal (③ pin) is non-connection, output voltage should be OFF state.

Fig.1 Standard measuring circuit of Regulator portion

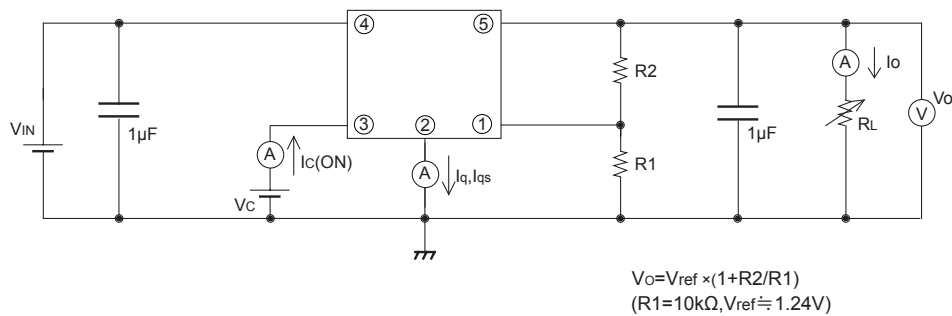


Fig.2 Standard measuring circuit of critical rate of ripple rejection

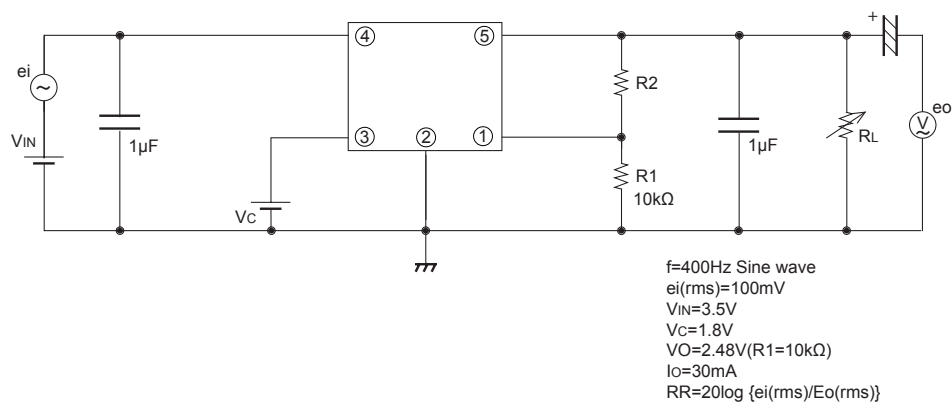
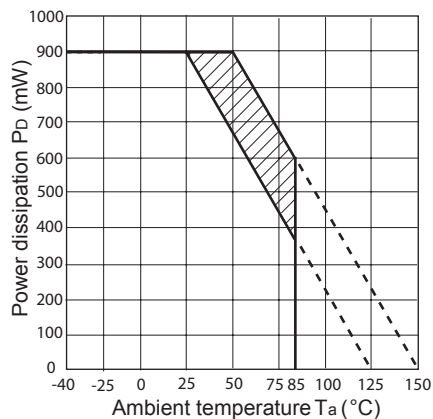
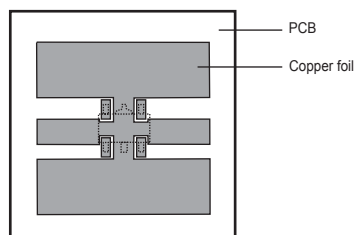


Fig.3 Power Dissipation vs. Ambient Temperature



Mounting PCB



Material : Glass-cloth epoxy resin
 PCB Size : 20mm × 20mm × 1.0mm
 Copper foil area : 180mm²
 Thickness of copper : 35μm

Note) Oblique line portion: Overheat protection may operate in this area.

Fig.4 Overcurrent Protection Characteristics

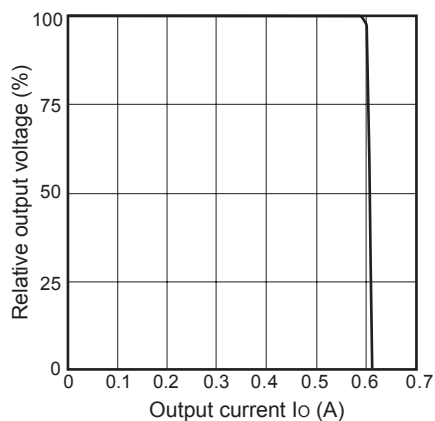


Fig.5 Output Voltage vs. Input Voltage (Typical Value)

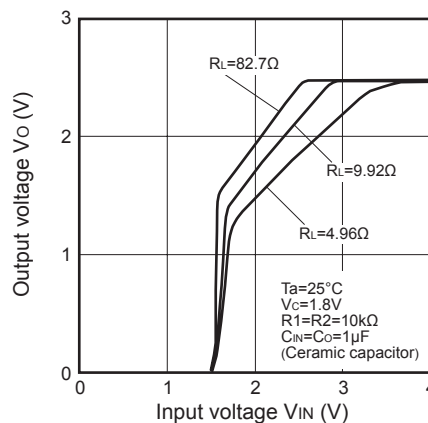


Fig.6 Circuit Operating Current vs. Input Voltage (Typical Value)

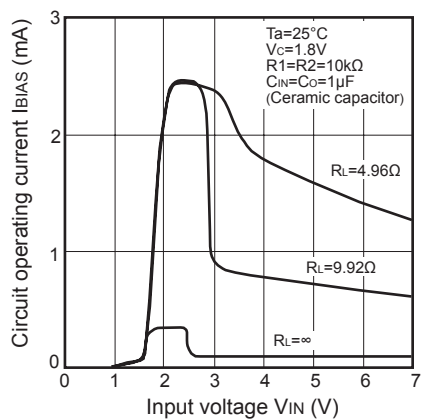


Fig.7 Quiescent Current vs. Junction Temperature (Typical Value)

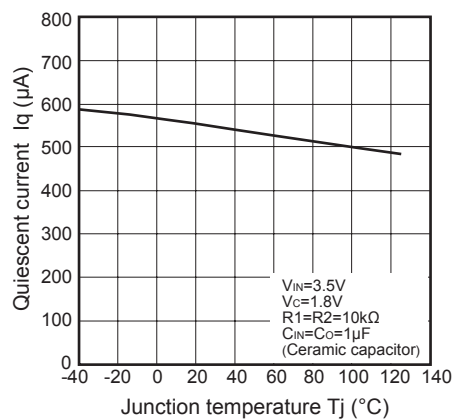


Fig.8 Dropout Voltage vs. Junction Temperature (Typical Value)

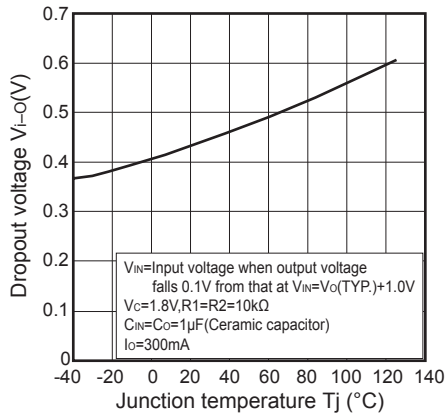


Fig.9 Output Voltage Deviation vs. Junction Temperature (Typical Value)

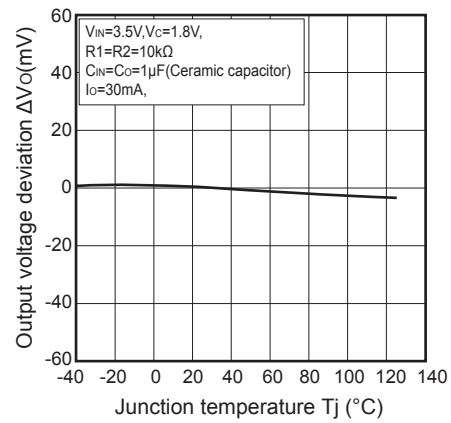


Fig.10 Dropout Voltage vs. Output Current (Typical Value)

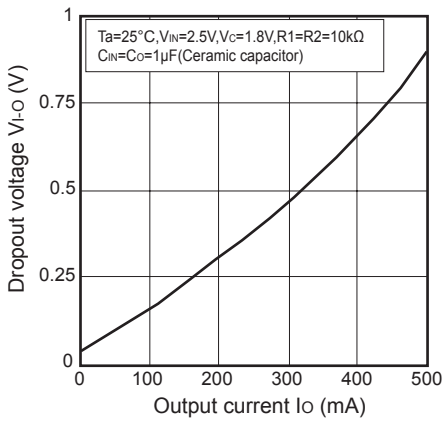


Fig.11 Ripple Rejection vs. Input Ripple Frequency (Typical Value)

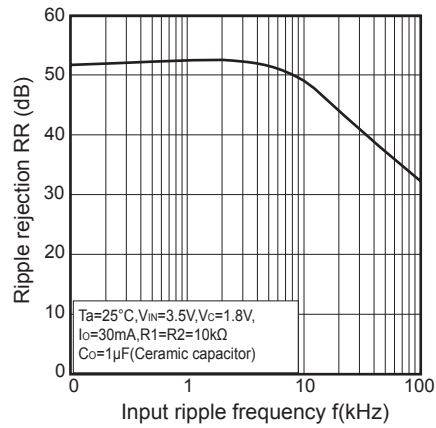
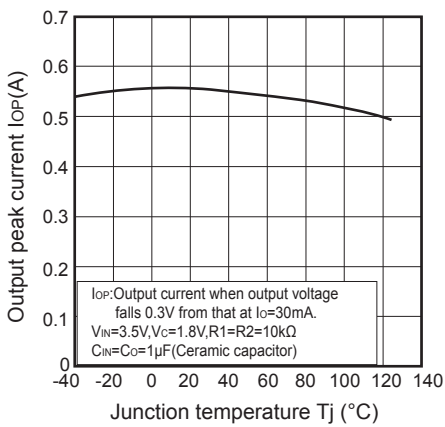


Fig.12 Output Peak Current vs. Junction Temperature (Typical Value)



Example of application

